

JINDAL MLC PIPES



FOR GAS SUPPLY

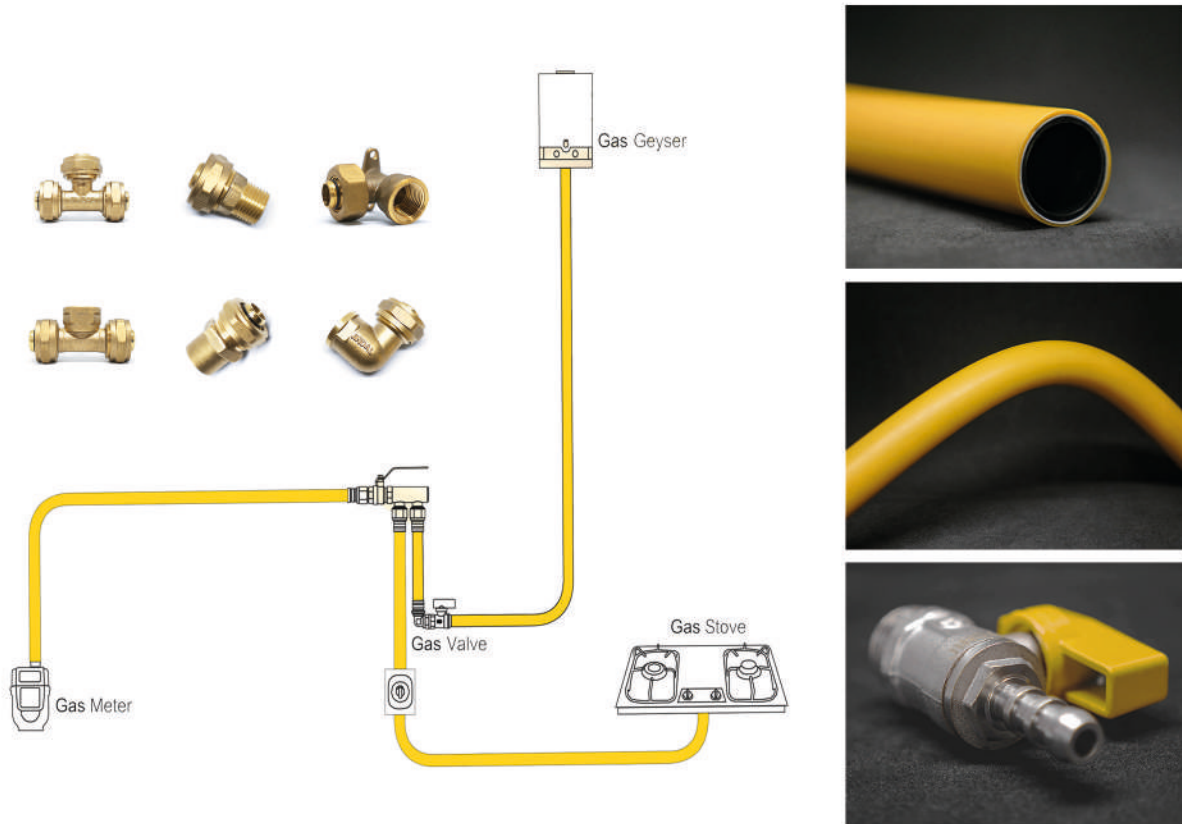
PRODUCT CATALOGUE

Multi-Layer Composite Pipe and Fittings
www.jindaltubes.com



Quality for Plumbing

JINDAL **MLC** PIPES FOR GAS SUPPLY



Jindal Group is the largest manufacturer of ERW pipes well diversified in various piping systems such as PE-AL-PE Pipes (also known as Multi-Layer Composite Pipes or Jindal MLC Pipes), HDPE Pipes, PVC Pipes, UPVC Pipes and CPVC Pipes.

Jindal MLC Gas Piping system combines the advantage of metal and plastic, and eliminates the disadvantages of both materials at the same time. The aluminium core is absolutely diffusion tight and reliably prevents oxygen or gases from permeating. It compensates and reduces snap-back and heat expansion with changes in temperature.

Jindal MLC Gas Pipes and fittings are manufactured with the latest german technology at our state of the art facility in Dehradun, Uttarakhand, India

Jindal MLC Gas Pipes are an ideal choice for indoor and outdoor installations. The pipes conform to stringent international standards for gas piping systems and multilayer piping technology.

Size Range	Inner Dia	Outer Dia
1014	10mm	14mm
1216	12mm	16mm
1620	16mm	20mm
2025	20mm	25mm
2532	25mm	32mm

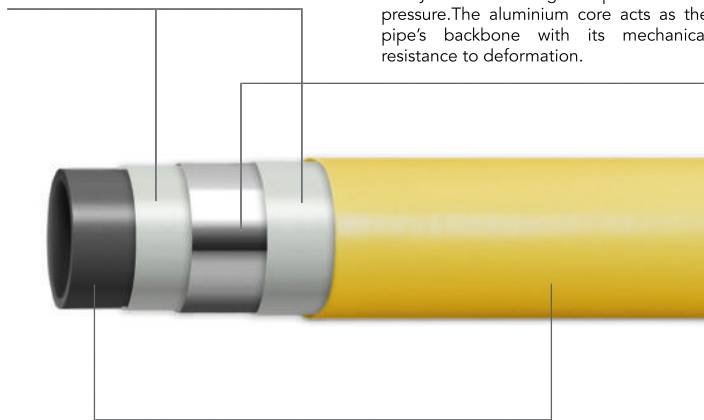


Adhesive Layers

The adhesive layer perfectly bonds the polyethylene and aluminium layers and absorbs the eventual shifting movements between the layers.

Aluminium Core

The aluminium core stays where it lays and has high mechanical strength. It has the ability to withstand high temperatures and pressure. The aluminium core acts as the pipe's backbone with its mechanical resistance to deformation.



Internal & External Polyethylene Layers

The Polyethylene layers are lightweight, flexible and chemically inert. It Provides a smooth surface for better flow and is a food grade material.



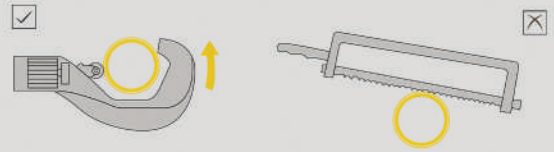
JOINT-FREE
Piping System

Available in Rolls of 100m & 200m
(Depending on the Pipe Size)

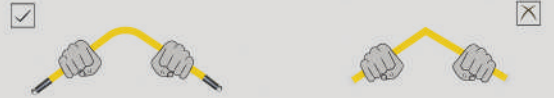
- 
 50 Years of working life
- 
 Hygienic, Toxic free, Rust free and no growth of micro-organisms
- 
 Easily bendable never springs back
- 
 Easy installation and wide range of usage
- 
 Light in weight, easy to carry and store
- 
 Low expansion and contraction
- 
 Quite flow
- 
 Fire retardant

DO's & DON'Ts

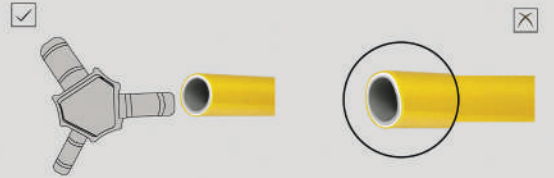
Pipe should not be cut using hacksaw blade cutter.
Only Jindal MLC Pipe Cutter should be used



It is essential to use bending spring for bending of the pipe as it maintains the shape of the pipe.



Pipe Reamer should be used on the pipe before installing the fitting.
It expands and makes the pipe round for proper installation of fitting



While inserting the fitting into the pipe it should be ensured that the pipe reaches the end wall of the fitting and covers both the O-Rings.



Jindal Pe-x Tubes Pvt Ltd
DSM-311-312, 3rd Floor,
DLF Tower, Shivaji Marg,
Moti Nagar, New Delhi - 110015

Helpline: +91 875 0075 007
+91 906 0700 000

Info@jindaltubes.com
www.jindaltubes.com



Quality for Plumbing